

WIFI MODULE

SWM-04



“Original instructions”

IMPORTANT NOTE:

Read this manual carefully before installing or operating your new air conditioning unit. Make sure to save this manual for future reference.

Installation Instruction of WiFi Module

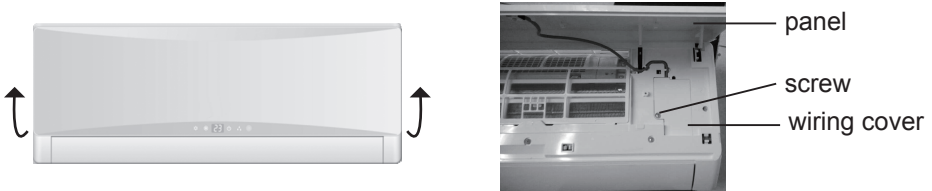
Installation Instruction for WiFi Module

Installation steps of WiFi module

Before installation, please confirm whether the purchased WiFi module complies with this unit.

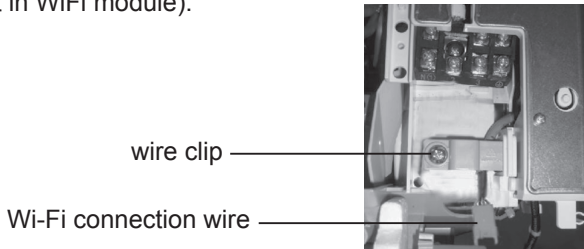
WARNING: Installation must be performed by qualified professionals. Otherwise, it may cause personal injury or damage. Do not put through the power before finishing installation.

1. Open the panel of indoor unit as show in the fig and unscrew the screw on the electric box cover.

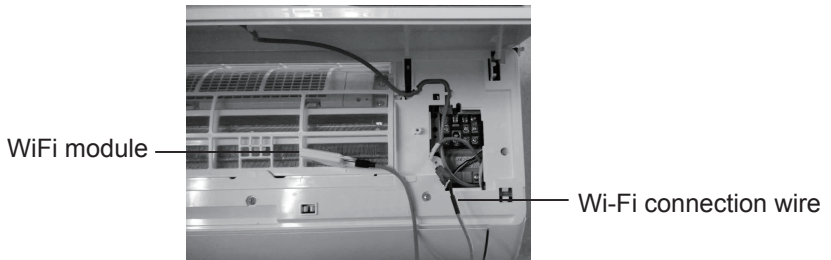


NOTICE: Actual product may be different from above graphics, please refer to actual product.

2. Open the electric box cover and you can see the WiFi connection wire.
(The color of WiFi connection wire is the same as the color of connection port in WiFi module).



3. Remove the wire clip, pull out the WiFi connection wire from the electric box and then connect it with the port in WiFi module.



NOTICE: the WiFi connection wire shall go through the wire groove, otherwise the electric box cannot be closed.

Installation Instruction of WiFi Module

4. Place the WiFi module beside the electric box. After confirming the position, please fix the WiFi module with screws.

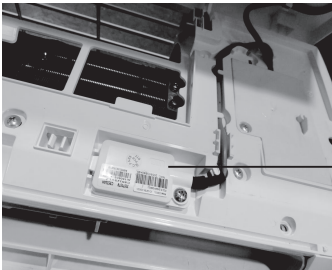
NOTICE:the position for placing WiFi module may be different for different models; actual position please refer to the actual situation.



WiFi module



WiFi module



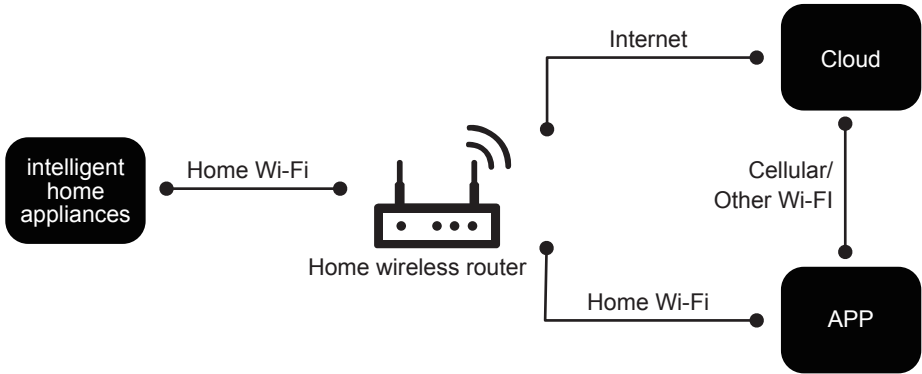
WiFi module

5. Neaten the WiFi connection wire, close the electric box cover and then tighten the screws.

6. After closing the panel of indoor unit, the installation of WiFi module is done.

Ewpe Smart App Operation Manual

Control Flow Chart



Operating Systems

Requirement for User's smart phone:



iOS system
Support iOS7.0 and
above version



Android system
Support Android 4.4 and
above version

Download and Installation



App Download Linkage

Scan the QR code or search "Ewpe Smart" in the application market to download and install it. When "Ewpe Smart" App is installed, register the account and add the device to achieve long-distance control and LAN control of smart home appliances.

For more information, please refer to "Help" in App.

NOTE CONCERNING PROTECTION OF ENVIRONMENT



This product must not be disposed of via normal household waste after its service life, but must be taken to a collection station for the recycling of electrical and electronic devices. The symbol on the product, the operating instructions or the packaging indicate such disposal procedures. The materials are recyclable in accordance with their respective symbols. By means of re-use, material recycling or any other form of recycling old appliances you are making an important contribution to the protection of our environment. Please ask your local council where your nearest disposal station is located.

In case of quality problem or other please contact your local supplier or authorized service center.

Emergency number: 112

PRODUCER

SINCLAIR CORPORATION Ltd.
1-4 Argyll St.
London W1F 7LD
Great Britain

www.sinclair-world.com

This product was manufactured in China (Made in China).

REPRESENTATIVE

SINCLAIR Global Group s.r.o.
Purkynova 45
612 00 Brno
Czech Republic

TECHNICAL SUPPORT

SINCLAIR Global Group s.r.o.
Purkynova 45
612 00 Brno
Czech Republic

Tel.: +420 800 100 285
Fax: +420 541 590 124

www.sinclair-solutions.com
info@sinclair-solutions.com

